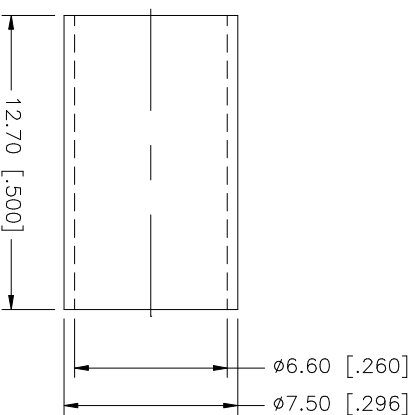
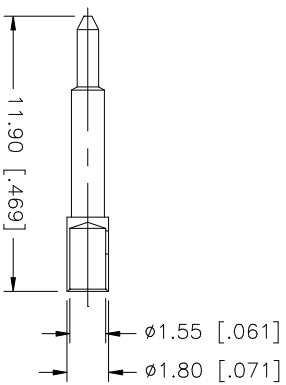
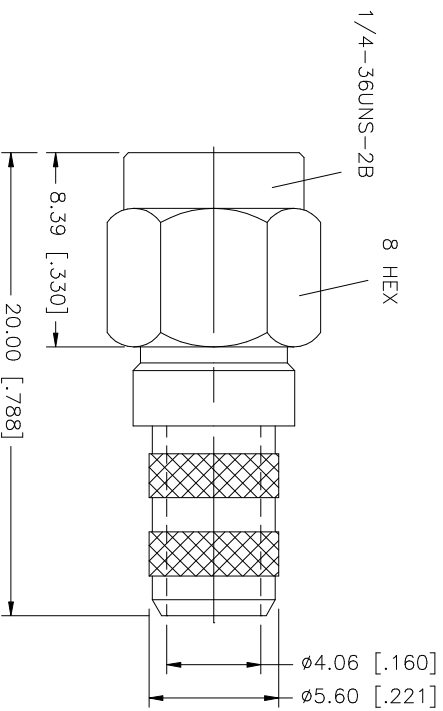
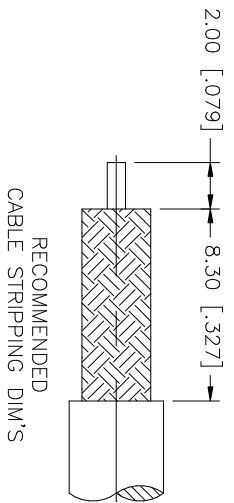


REV.	DATE	DESCRIPTION
A	11/26/03	UPDATE DRAWING FORMAT



- NOTES:
1. CRIMPED FERRULE  
HEX CRIMP SIZE .255"
  2. CONTACT PIN TO SOLDER

QTY	FINISH	MATERIAL	DESCRIPTION
1	GOLD	BRASS	FERRULE
1	GOLD	BRASS	HEX NUT
1	GOLD	BRASS	LOCK WASHER
1	GOLD	PHOS. BRONZE	CONTACT PIN
1	NATURAL	TEFLON	INSULATOR
1	GOLD	BRASS	HOUSING/BODY
			DESCRIPTION

UNLESS OTHERWISE SPECIFIED DIMENSIONS ARE IN INCHES AND FOR CUSTOMER REFERENCE ONLY.	UNLESS OTHERWISE SPECIFIED TOLERANCES FOR MILLIMETERS ARE:	UNLESS OTHERWISE SPECIFIED TOLERANCES FOR INCHES ARE:
0.5 - 8mm ± 0.20mm	8 - 30mm ± 0.40mm	30 - 120mm ± 0.50mm
UNLESS OTHERWISE SPECIFIED TOLERANCES FOR INCHES ARE:		
.020 - .315 = ± 0.007"	.315 - 1.180 = ± 0.015"	1.180 - 4.724 = ± 0.020"

APPROVALS	DATE	PART DESCRIPTION
DRAWN G.R.S.	11/26/03	SMA CRIMP PLUG (FOR RG-8/X, LMR-240)
CHECKED		
ISSUED		
SHEET 1 OF 1		

CAD FILE C:/132/132231.DWG	DWG. NO. 132231.DWG	REV. NC	SIZE A	SCALE NA
----------------------------	---------------------	---------	--------	----------

**Amphenol Connex**